

ISO B COUPLINGS - Stainless Steel

S-QBM & S-QBF SERIES

ISO 7241:2014 SERIES B

QUICK-RELEASE (PULL-BREAK) HYDRAULIC COUPLINGS

INTRODUCTION

S-QBM / S-QBF Series couplings are made in AISI 316 stainless steel. They are designed to be tough, durable, and of superior quality to competing ISO 7241 Series B products, while retaining their advantages.

FEATURES

- ✓ Operating Temperatures (with FKM seals): -20°C to 200°C
- ✓ Positive, quick connection ensured by the snap-together locking ball system.
- ✓ Poppet valves have balanced springs and calibrated oil flow passages to minimise the pressure drop.
- ✓ Bi-directional Flow

MATERIALS

AISI 316 stainless steel, fitted with FKM seals. For the carbon steel version, please see the QBM & QBF series.

APPLICATIONS

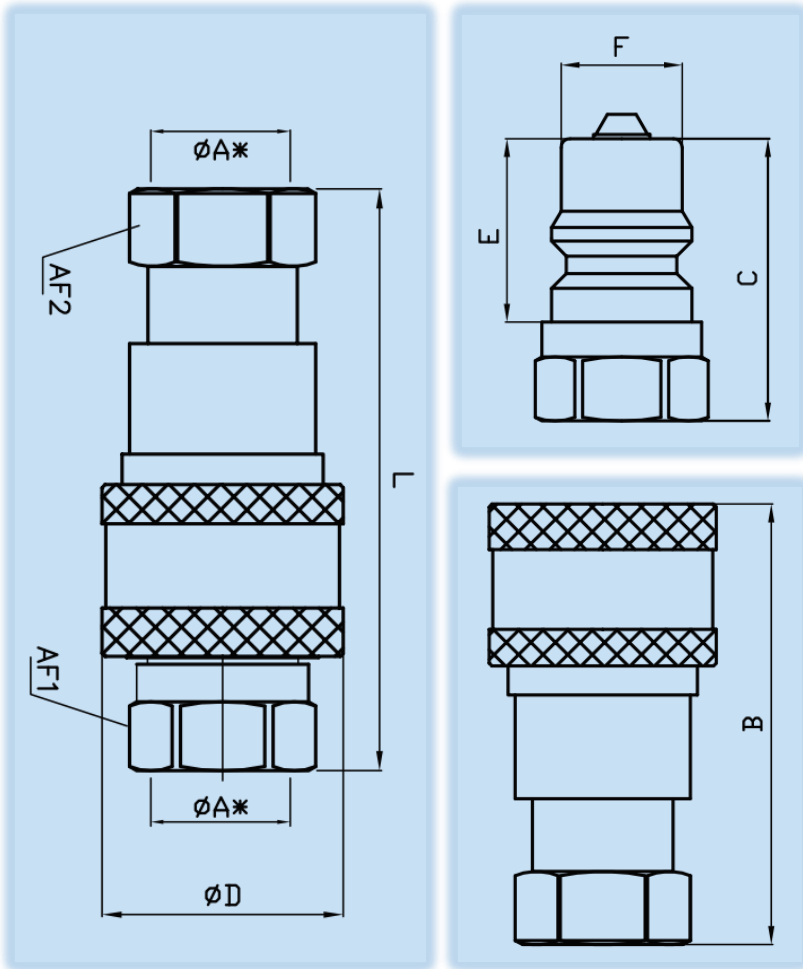
Suitable for corrosive fluids and environments, marine, offshore/onshore, chemical and pharmaceutical environments.



Performance Characteristics	Body Size					
	1/8"	1/4"	3/8"	1/2"	3/4"	1"
Maximum Working Pressure (Coupled)	300 Bar	300 Bar	250 Bar	250 Bar	250 Bar	200 Bar
	4351 PSI	4351 PSI	3626 PSI	3626 PSI	3626 PSI	2901 PSI
Burst Pressure (Coupled)	900 Bar	900 Bar	750 Bar	750 Bar	750 Bar	600 Bar
	13053 PSI	13053 PSI	10878 PSI	10878 PSI	10878 PSI	8702 PSI
Burst Pressure (Male)	1000 Bar	950 Bar	850 Bar	800 Bar	800 Bar	650 Bar
	14504 PSI	13779 PSI	12328 PSI	11603 PSI	11603 PSI	9427 PSI
Burst Pressure (Female)	900 Bar	900 Bar	750 Bar	750 Bar	750 Bar	600 Bar
	13053 PSI	13053 PSI	10878 PSI	10878 PSI	10878 PSI	8702 PSI
Rated Flow	3 L/min	12 L/min	23 L/min	45 L/min	106 L/min	189 L/min
	0.8 GPM	3.2 GPM	6 GPM	12 GPM	28 GPM	50 GPM



Dimensions



Male Coupler (S-QBM)

Part Number	Body Size	ϕA (Thread)*	C	E	F	AF2 (hex)	L
S-QBM-BPF-0404	1/4"	1/4" BSPP F	36	18.5	14.1	19	72.7
S-QBM-BPF-0606	3/8"	3/8" BSPP F	40	21.5	19	24	80.8
S-QBM-BPF-0808	1/2"	1/2" BSPP F	45.6	23.5	23.5	27	92.2
S-QBM-BPF-1212	3/4"	3/4" BSPP F	56	30.5	31.4	36	113
S-QBM-BPF-1616	1"	1" BSPP F	63	34.4	37.7	41	127.1

**Alternative sizes and threads (NPTF, UN) available on request for both male and female couplers*

Female Coupler (S-QBF)

Part Number	Body Size	ϕA (Thread)*	B	ϕD	AF1 (hex)	L
S-QBF-BPF-0404	1/4"	1/4" BSPP F	58	28.5	19	72.7
S-QBF-BPF-0606	3/8"	3/8" BSPP F	65	35	24	80.8
S-QBF-BPF-0808	1/2"	1/2" BSPP F	73.4	42	30	92.2
S-QBF-BPF-1212	3/4"	3/4" BSPP F	92	53.8	36	113
S-QBF-BPF-1616	1"	1" BSPP F	103	63.4	41	127.1

All dimensions in mm unless otherwise stated. Dimensions shown are for guidance only, if critical contact FC staff.

✓ The right connector
✓ The right price

www.fluidconnectors.com

NZ: +64 9 274 4830
AU: +61 8 9244 8266

